

HAYER & BOECKER



PRIMARY CRUSHING PLANTS



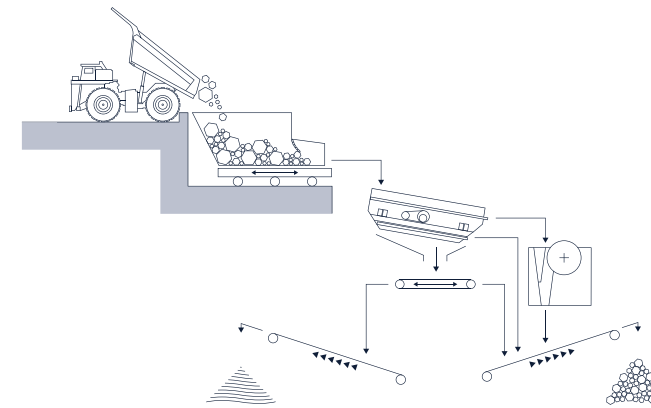
BASIC AND MASTER PRIMARY CRUSHING PLANTS



The scalper is one of the main components of each primary crushing plant. With the scalper your plant will be more efficient, low-wear and more productive. HAYER NIAGARA® eccentric screening machines are perfect for scalping because of their heavy-duty design and smooth running. We combined our experience since 1930 with the supplementary components of our suppliers and realize complex plant projects according to our customers needs.

We engineer plants according to your specifications

As the market leader in eccentric screening technology, HAYER & BOECKER provides expertise pre-crushing systems as well as secondary and tertiary crushing. We will work with any crusher and peripheral component manufacturers.



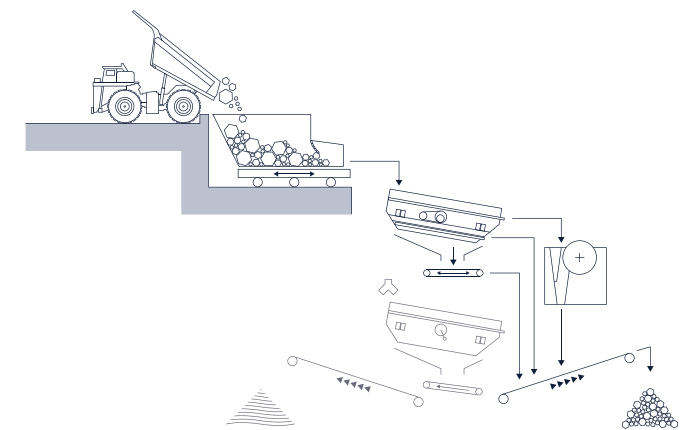
Primary-crushing plant Basic

Pre-crushing Plant Basic

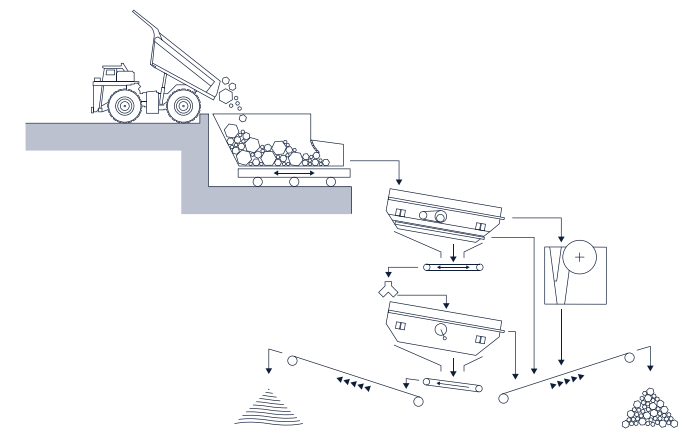
The classic pre-crushing plant serves to relieve the primary crusher by using a HAYER NIAGARA eccentric screening machine. If needed an additional screen deck allows the screening off of stony earth. If the screening material is unsuitable for further processing, it can then be directly screened away. If the natural material deposit or the application possibilities should improve, then the material can be fed to production.

Pre-crushing Plant Master

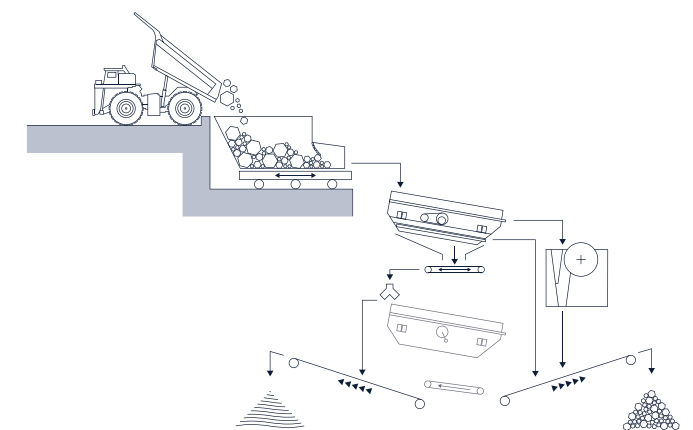
To get the most out of your natural mineral deposit, HAYER & BOECKER developed the MASTER system. It allows you to derive the greatest possible flexibility and profitability for your primary crushing stages, especially with non-homogeneous natural deposits.



Master: With **high quality natural deposits**, the extracted material is fed completely to the production.

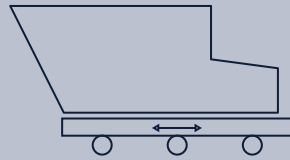


Master: With **moderate natural material deposits**, stony soil can be screened off to a second screening machine. The valuable stone material is then fed to the production and only the unsuitable earth material is diverted to a waste stockpile.



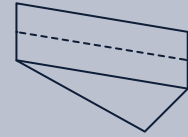
Master: With **difficult natural material deposits** it can be advantageous or even necessary to completely remove the stony soil.

HOPPER & FEEDER



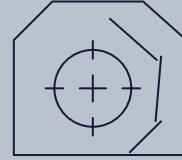
HAVER push feeder

SCREEN

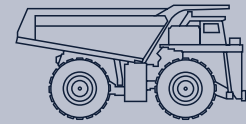


HAVER screen

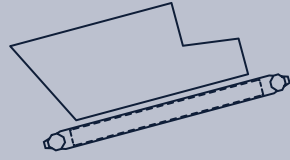
CRUSHER



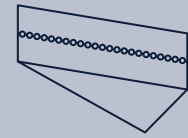
impact crusher



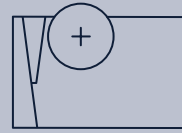
dump truck



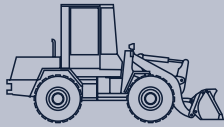
apron conveyor



roller screen



jaw crusher



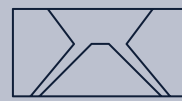
wheel loader



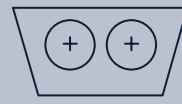
HAVER vibrating feeder



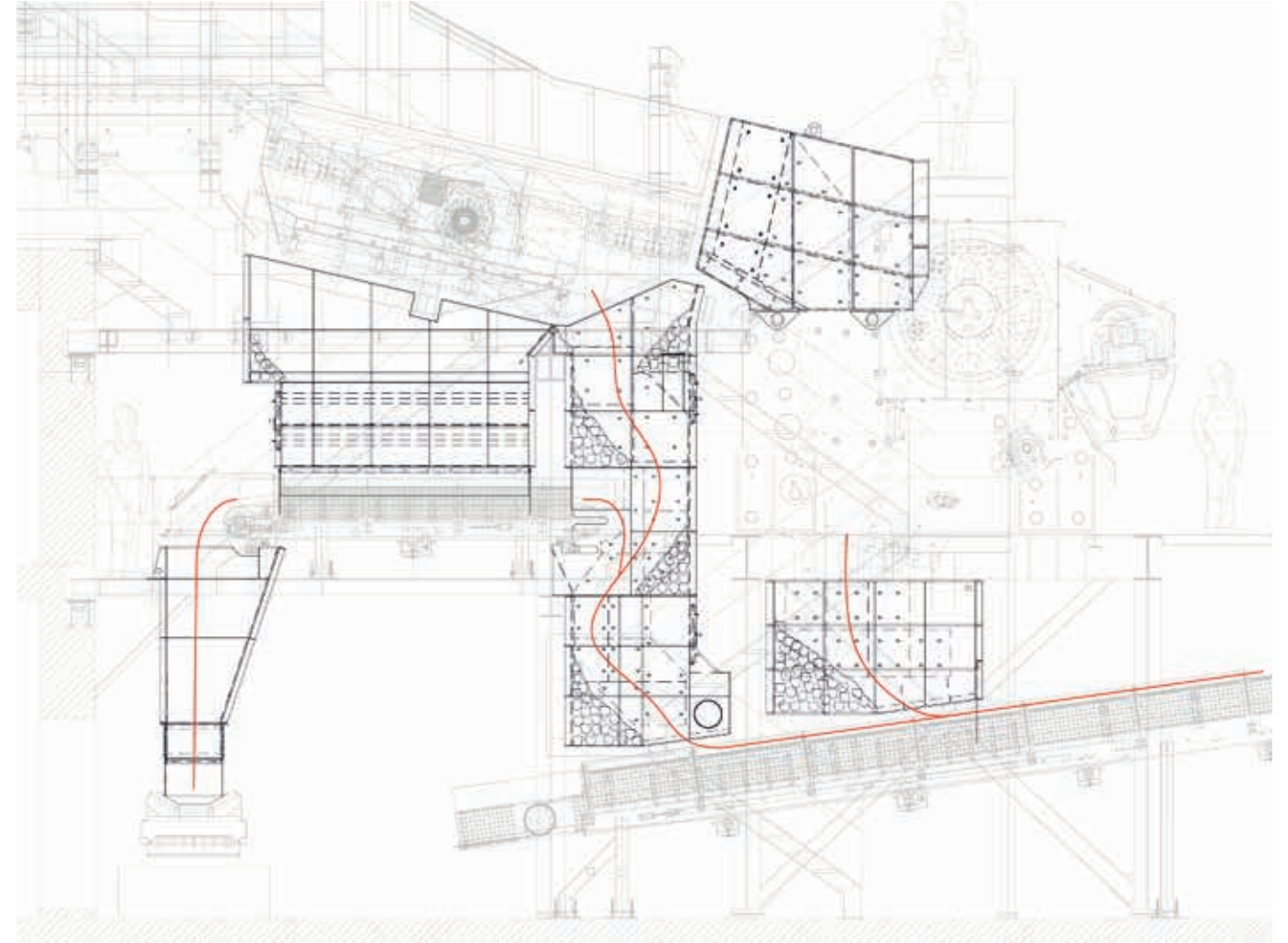
without screen



cone crusher



roller crusher



Low-wear and trouble-free chute systems from HAVER & BOECKER

Components used to complete the plant

- Robust, optimum flow, low-wear and maintenance friendly chute systems
- Engineered work platforms, walkways and stairway systems
- Rugged, steel structure production
- Integrated custom conveyor technology
- All peripheral components such as maintenance cranes, de-dusting systems, compressed air systems, hydraulic, hammers.
- Plant control systems and data management

Services HAVER & BOECKER offers you in addition

- Structural building engineering, including verifiable statics calculation
- Transportation management, supervision or complete package - from assembly and electrical installation to plant start-up and optimization
- Project management, on-site services, operating supplies, components or plant control
- Comprehensive plant documentation on CE requirements and beyond
- Declaration of conformity with EC directives for machines 2006/42/EG (CE)
- Service and spare parts planning
- Service contracts



Maintenance-friendly hopper above belt conveyor



Rugged bunker construction using the HAVER reciprocating feeder

STEP-BY-STEP PLANT DESIGN



BASIC Primary crushing plant, diabase, 500t/h, HAVER F-CLASS, HAVER push feeder, jaw crusher

Your advantages with HAVER & BOECKER

- Integrated concepts with focus on production and profitability in all operating phases, all based on customer needs, tests, analyses and experience
- Detailed and efficient layout of processes and components
- We will work with any crusher and peripheral component manufacturers
- Manufacturer-independent conveying technology
- Integration of local brand technology if requested
- Comprehensive plant documentation on CE requirements and beyond
- Declaration of conformity with EC directives for machines 2006/42/EG (CE)
- Service and spare parts planning
- Extensive consideration of requirements for personnel safety and environment (CE machine directives, dust and noise emissions, energy efficiency)
- Customer-oriented project support, from initial concept to production phase.
- Robust, lifetime design



Primary crushing plant, flourspar and feldspar, 80t/h, HAVER F-CLASS, HAVER push feeder, jaw crusher



Primary crushing plant, raw gypsum, 400t/h, HAVER F-CLASS, apron conveyor, jaw crusher



MASTER Primary crushing plant, limestone, 600t/h, HAVER F-CLASS, HAVER push feeder, impact crusher

HAYER & BOECKER OHG

HAYER NIAGARA - A HAYER & BOECKER Company

Robert-Bosch-StraÙe 6, 48153 Münster

Phone: +49 251 9793-0, Fax: +49 251 9793-156

E-Mail: info@haverniagara.com

www.haverniagara.com