



PAIL FILLER TYPE 4

This cost-effective SlimLine pail filler has been designed to meet the demand “just fill”. The filler offers all the main functions that you might expect of gravimetric fillers. The components of the filler are mounted at a sturdy, lacquered base construction with levelling feet. Many well-proven components from the Feige modular system have been used, e.g. the pressure-relieved filling valve with minimum dead space and quick change connector. Furthermore, a variety of essential accessories can be chosen such as diffuser disk or controlled drip collecting devices, well-matching product hose system, non driven roller conveyor on the weigh scale or collecting basin. For the out-feed area we recommend installing a table or a short roller conveyor without drive unit. The pails can be closed here.

The benefits

- Very cost-effective solution when it comes to realise only the filling process
- Very simple installation and operation
- Factory verification on request
- 9 files with the filling parameters for different products can be generated
- 2 g increments even enable the filling of tins
- Also available as mobile version



TECHNICAL DATA | DESIGN

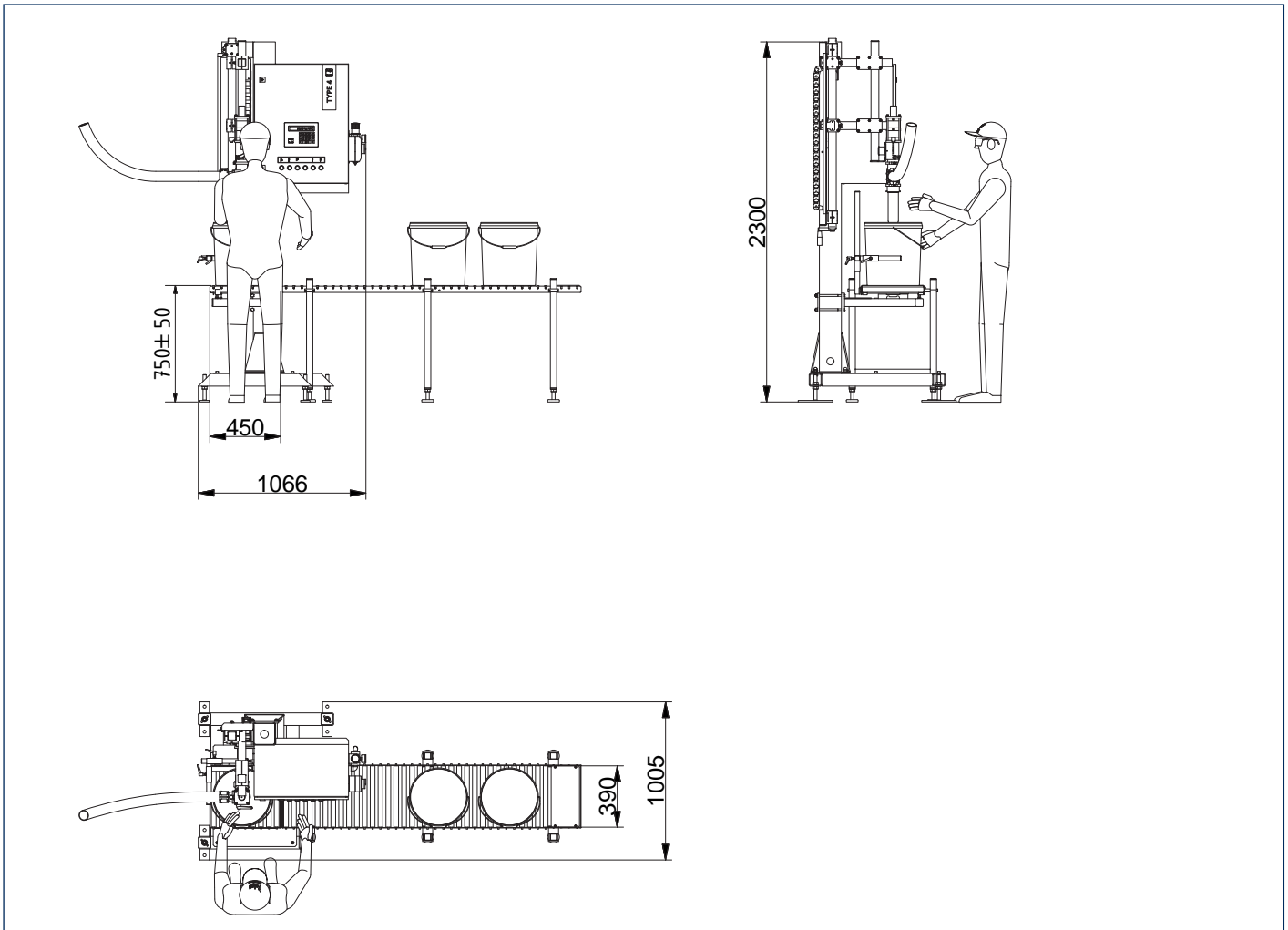
Type 4.2-B-00n

Pail filler for pasty liquids (above-surface filling mode)
This filler is suitable for pail heights ranging from 100 to 600 mm
Please respect weighing ranges

Type 4.2-0-00n

If pails of the same height are used only, the base height adjustment can be omitted
However, the filler can be adjusted to a fixed pail height between 100 and 600 mm

PAIL FILLER TYPE 4



TECHNICAL DATA

Electric design	100-240 V, 50-60 Hz, 0.5 kVA
Base height adjustment	500 mm, continuously with crank handle
Air consumption	2 NI per cycle
Weight	approx. 200 kg
Weighing range (approved for verification)	two-range weigh scale, optional 0.5 to 6 kg, 2g increment, to 15 kg with 5g increment or 2.5 to 15 kg, 5g increment, to 30 kg with 10g increment 1 * to 30 kg, 10 g increment, to 60 kg with 20 g increment
External control	2 dry contacts for coarse and fine fill or flow control valve
Ambient temperature	0° to 40°C
Product temperature	0° to 130°C
Nominal output	3 to 4 pails / minute
* 1 to 10 kg NOT approved for verification	

All information is meant for orientation. We would be glad to prepare a binding quotation for you.